

### Domiled<sup>™</sup>

Synonymous with function and performance, the Domiled<sup>™</sup> series is perfectly suited for a variety of cross-industrial applications due to its small package outline, durability and superior brightness.



### Features:

- > High brightness surface mount LED.
- > 120° viewing angle.
- > Small package outline (LxWxH) of 3.2 x 2.8 x 1.8mm.
- > Qualified according to JEDEC moisture sensitivity Level 2.
- > Compatible to both IR reflow soldering and TTW soldering.
- > Environmental friendly; RoHS compliance.



### Applications:

- > Automotive: interior applications, eg: switches, telematics, climate control system, dashboard, etc.
- > Consumer Appliances: LCD illumination as in PDAs, LCD TV.
- > Communication: indicator and backlight in mobilephone.
- > Display: full color display video notice board.
- > Industry: white goods (eg: Oven, microwave, etc.).



Part Ordering Number	Chip Technology / Color	Viewing Angle°	Luminous Intensity @ IF = 20mA IV (mcd)
<b>DDH-GJS-MN2-1</b>	<b>AlGaP</b>	<b>120</b>	<b>18.0 - 45.0</b>
• DDH-GJS-M1	Hyper Red, 640nm		18.0 - 22.4
• DDH-GJS-M2			22.4 - 28.5
• DDH-GJS-N1			28.5 - 35.5
• DDH-GJS-N2			35.5 -45.0
<b>DDH-GJS-NP2-1</b>			<b>28.5 - 71.5</b>
• DDH-GJS-N1			28.5 - 35.5
• DDH-GJS-N2			35.5 - 45.0
• DDH-GJS-P1			45.0 - 56.0
• DDH-GJS-P2			56.0 - 71.5

**NOTE**

1. All part number above comes in a quantity of 2000 units per reel.
2. Other luminous intensity groups are also available upon request.
3. Luminous intensity is measured with an accuracy of  $\pm 11\%$ .
4. Wavelength binning is carried for all units as per the wavelength-binning table. Only one wavelength group is allowed for each reel.
5. An optional Vf binning is also available upon request. Binning scheme is as per following table.

## Wavelength Grouping

Color	Group	Wavelength distribution (nm)
-------	-------	------------------------------

DDH; Hyper-red	Full	635 - 655
----------------	------	-----------

Dominant wavelength is measured with an accuracy of  $\pm 1$  nm.

## Electrical Characteristics at Ta=25°C

Chip Type	Vf @ If = 20mA		Vr @ Ir = 100μA
	Typ. (V)	Max. (V)	Min. (V)

AlGaAs	1.9	2.6	5
--------	-----	-----	---

Forward voltage, Vf is measured with an accuracy of  $\pm 0.1$  V.

## Vf Binning (Optional)

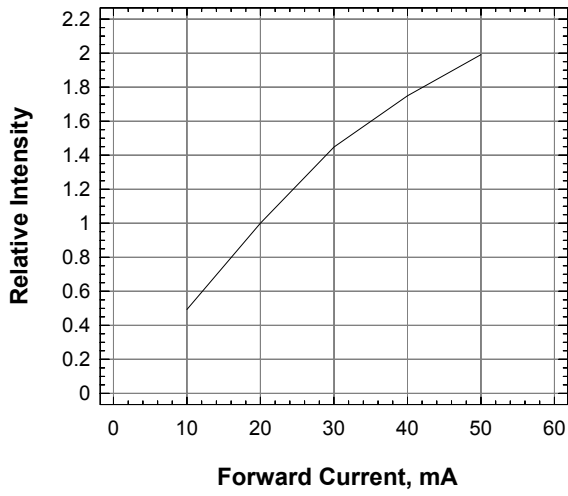
Vf Bin @ 20mA	Forward Voltage (V)
01	1.55 ... 1.85
02	1.85 ... 2.15
03	2.15 ... 2.45
04	2.45 ... 2.60

Forward voltage, Vf is measured with an accuracy of  $\pm 0.1$  V.  
Please consult sales and marketing for special part number to incorporate Vf binning.

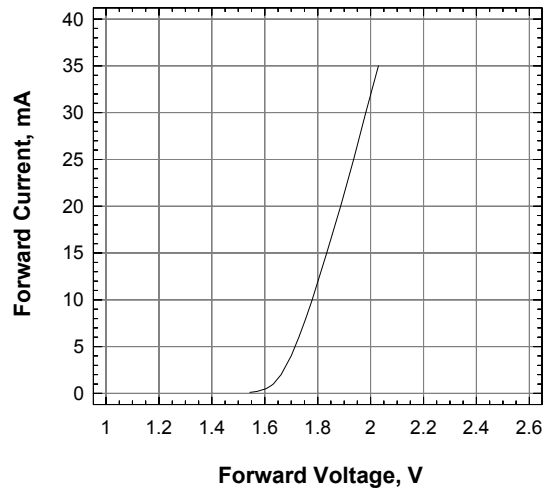
## Absolute Maximum Ratings

	Maximum Value	Unit
DC forward current	30	mA
Peak pulse current; (tp ≤ 10μs, Duty cycle = 0.005)	500	mA
Reverse voltage	5	V
ESD Threshold (HBM)	2	kV
LED junction temperature	100	°C
Operating temperature	-40 ... +100	°C
Storage temperature	-40 ... +100	°C
Power dissipation (at room temperature)	75	mW

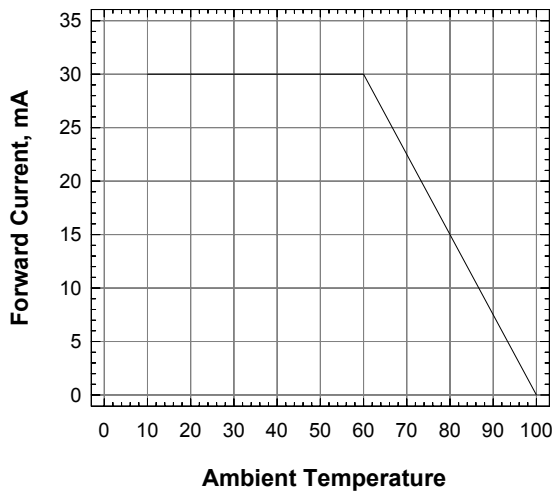
**Relative Intensity Vs Forward Current**



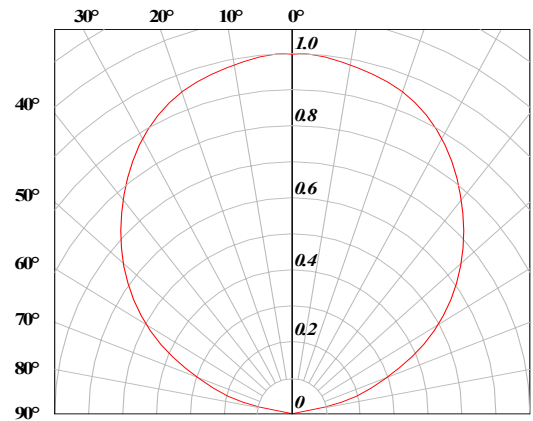
**Forward Current Vs Forward Voltage**



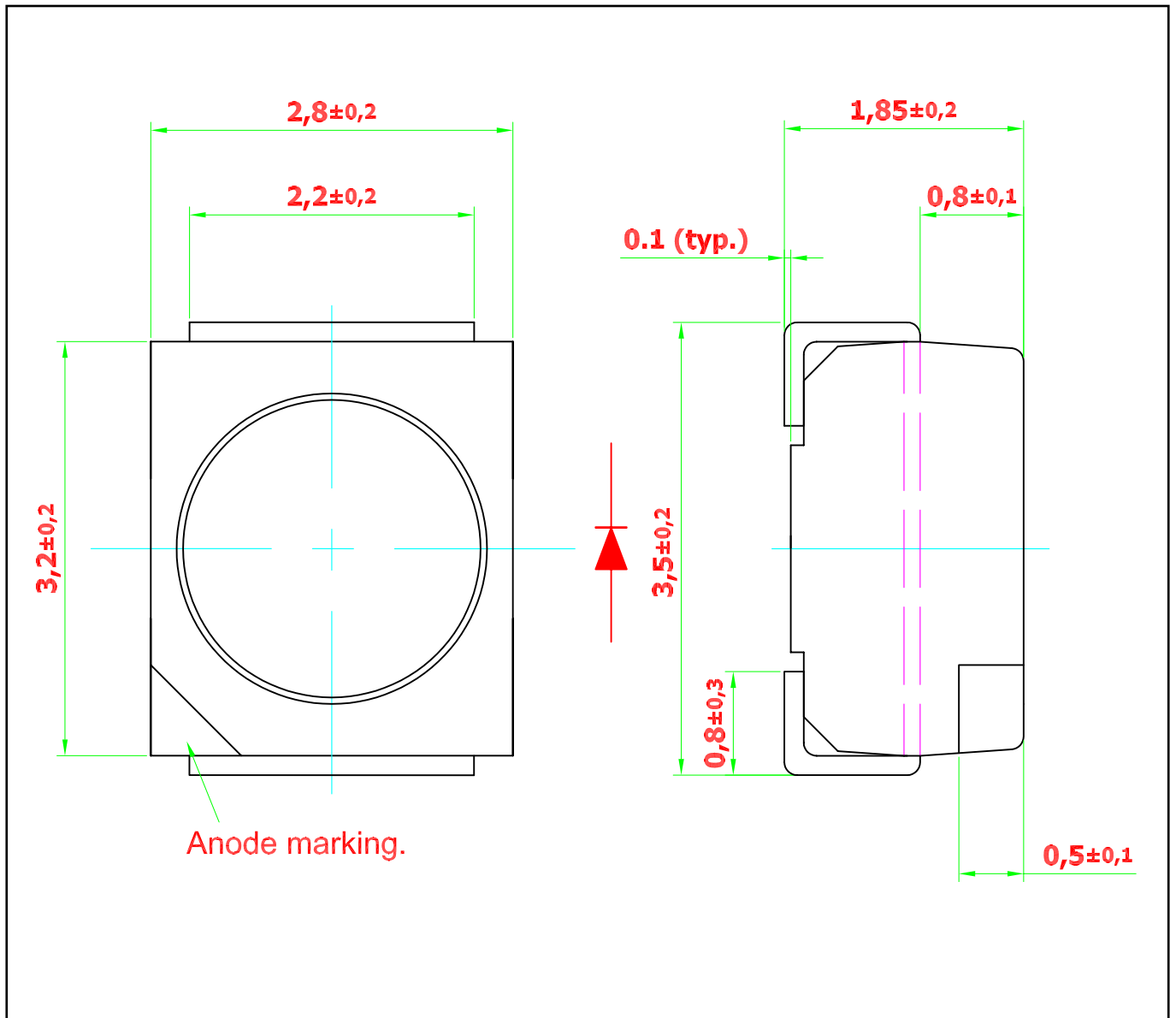
**Maximum Current Vs Temperature**



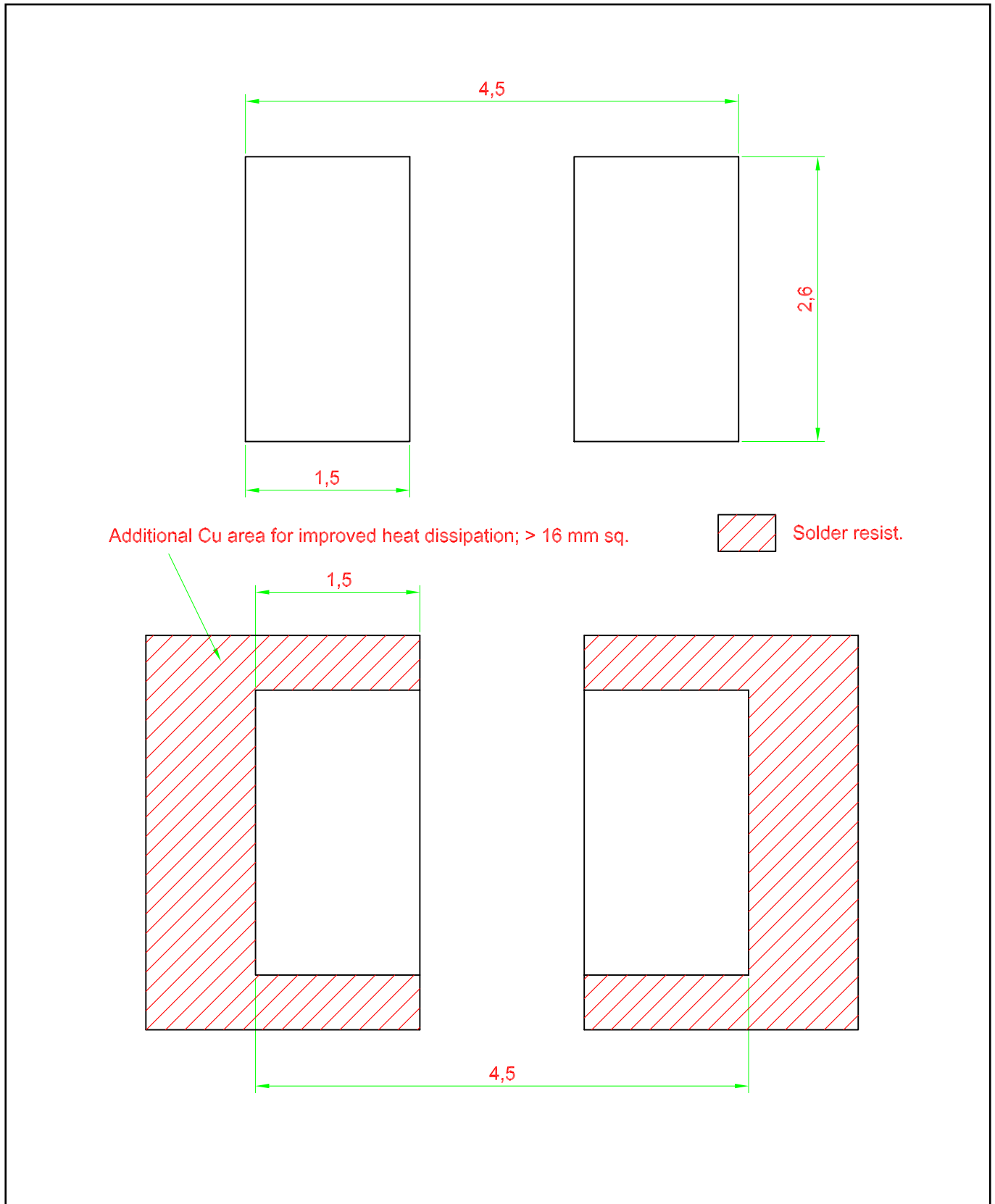
**Radiation Pattern**



**DomiLED™ • AlGaAs : DDH-GJS Package Outlines**

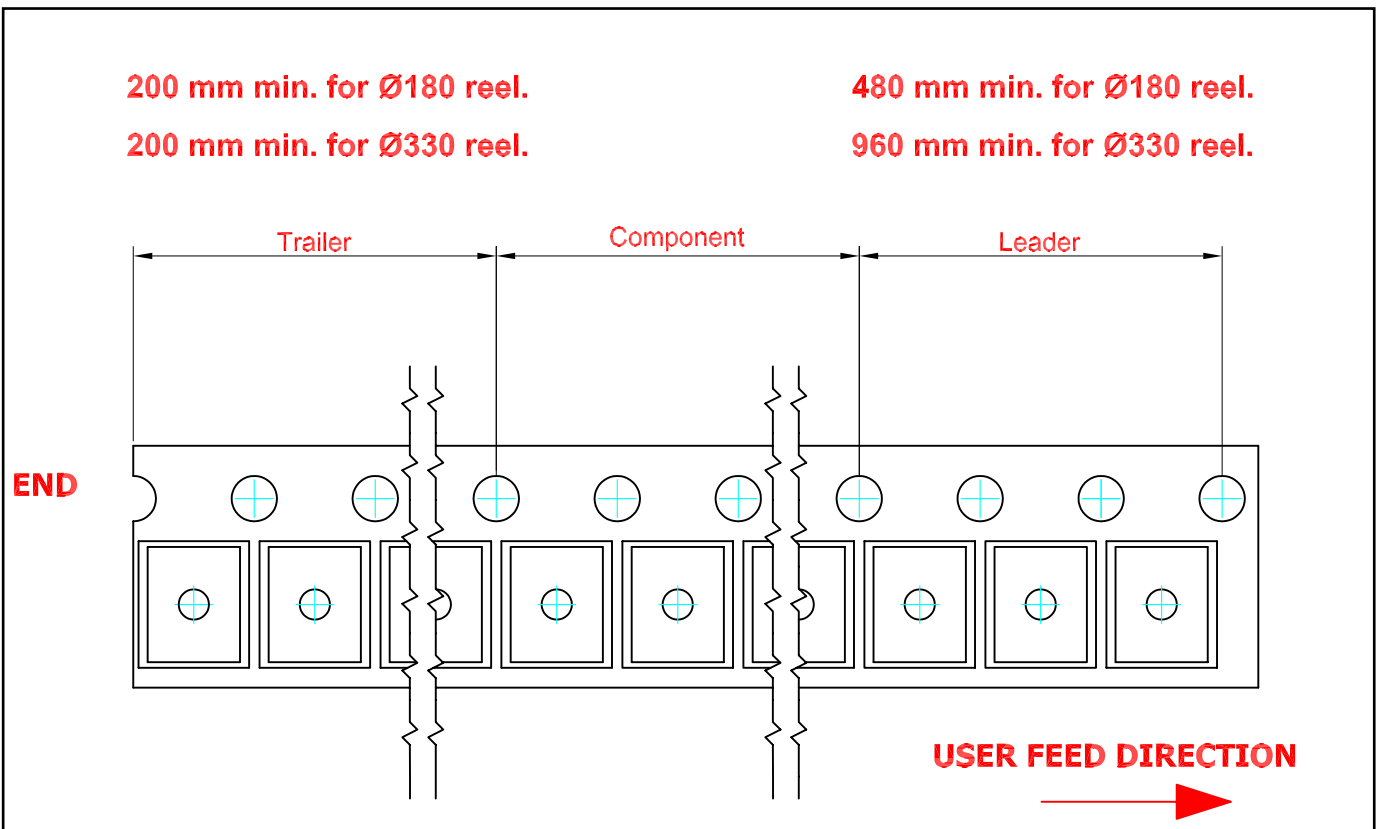
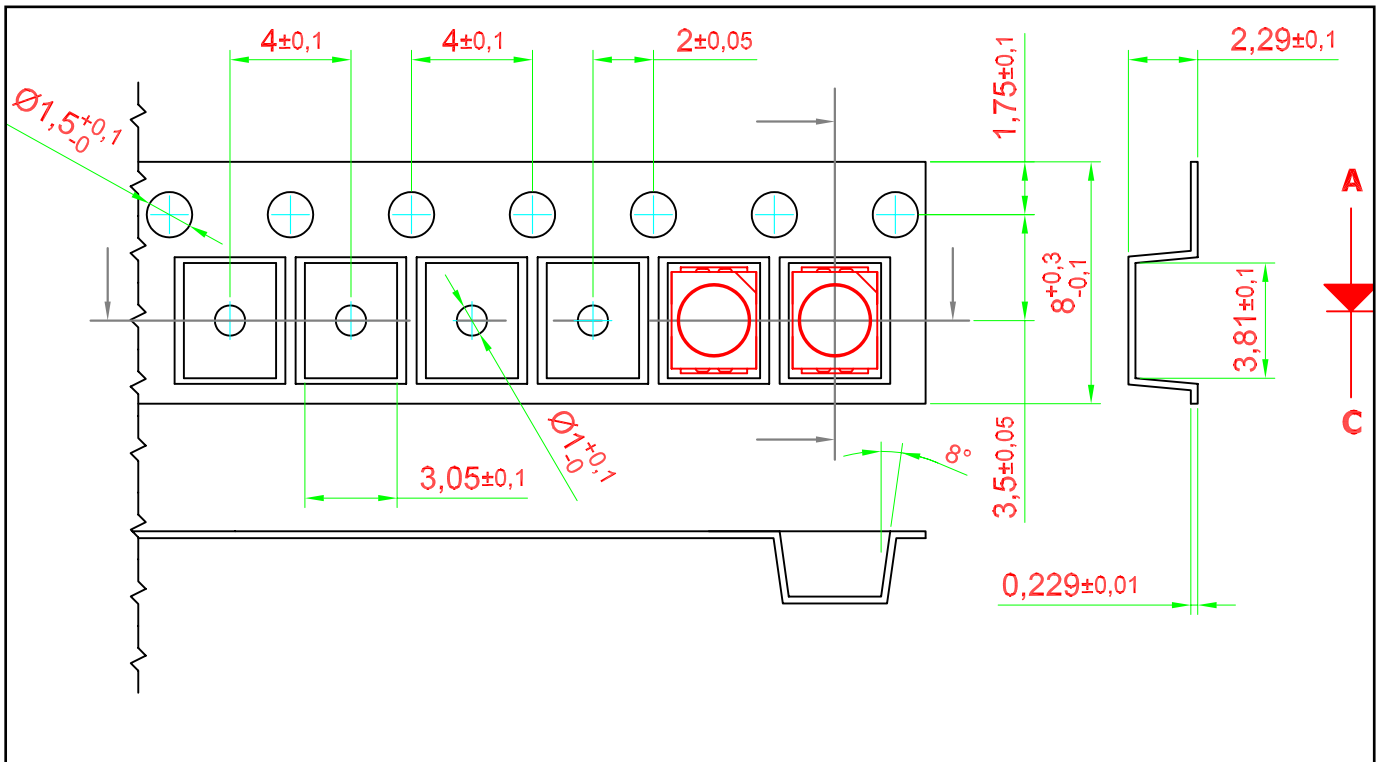


**Recommended Solder Pad**

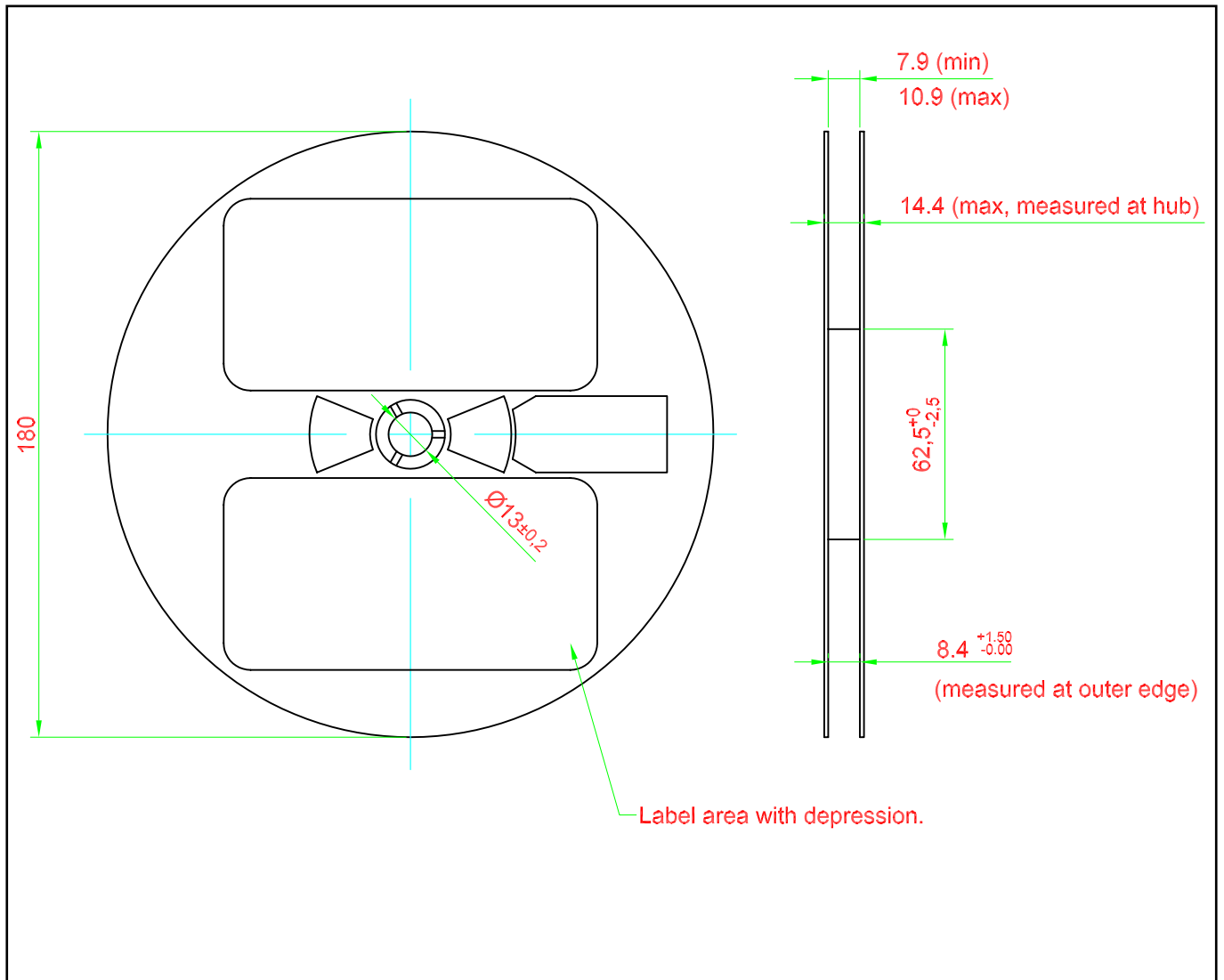


**Taping and orientation**

- Reels come in quantity of 2000 units.
- Reel diameter is 180 mm.

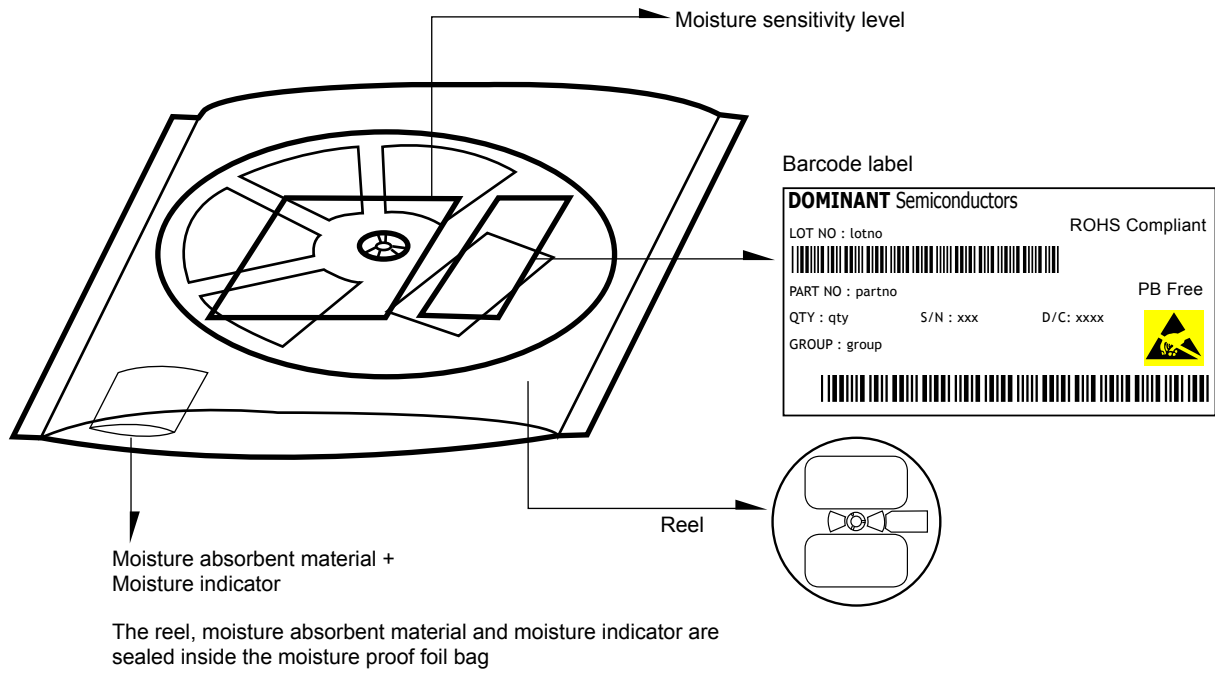


**Packaging Specification**

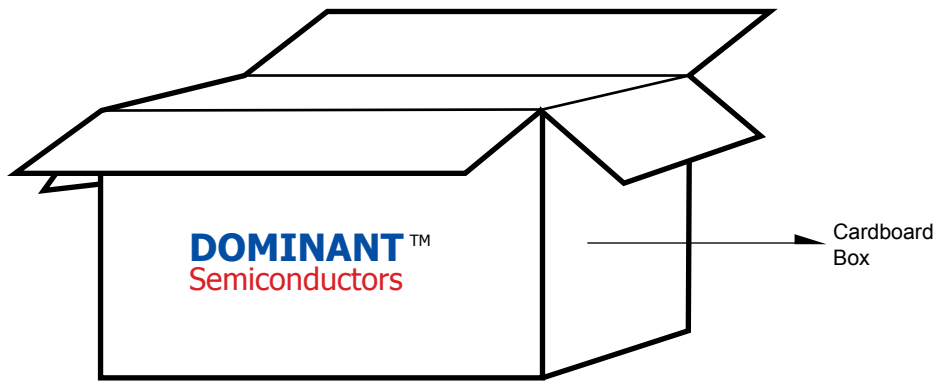




**Packaging Specification**



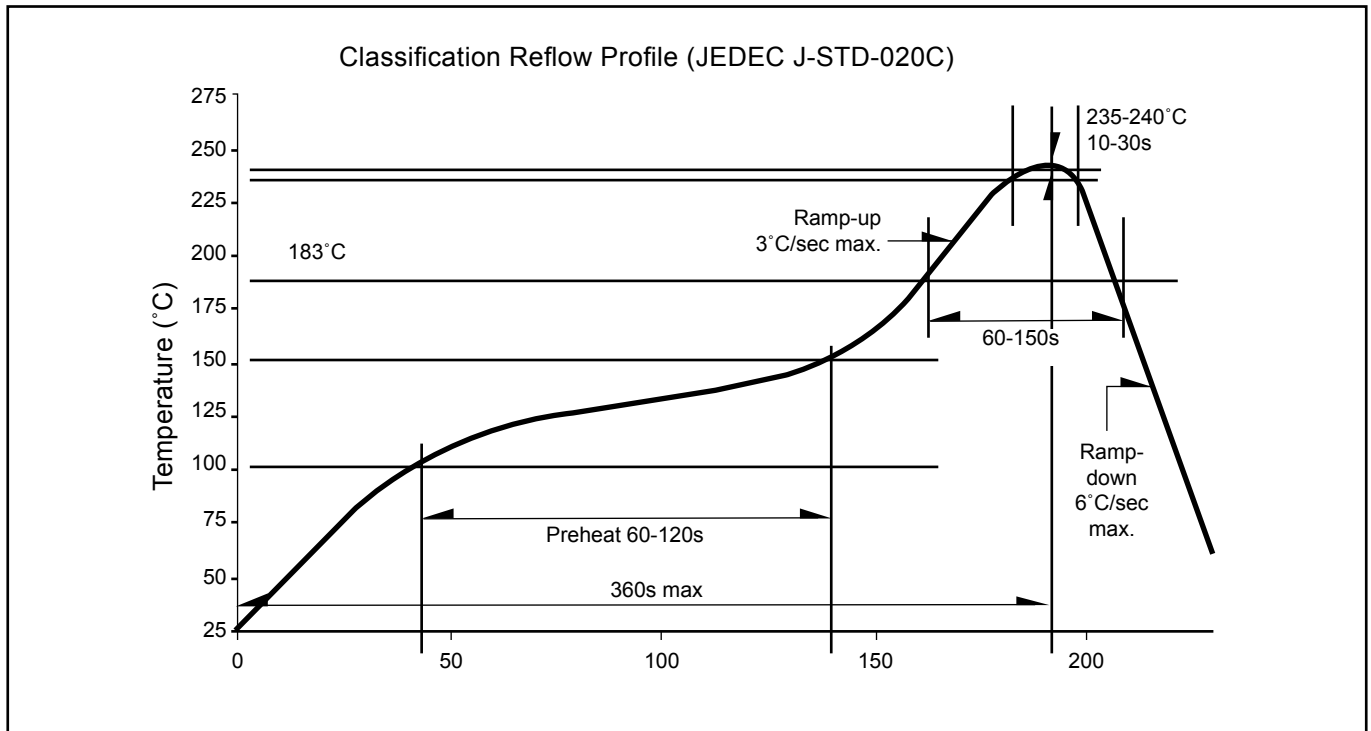
	Average 1pc DomiLED/Multi DomiLED	1 completed bag (2000pcs)
Weight (gram)	0.034	190 ± 10



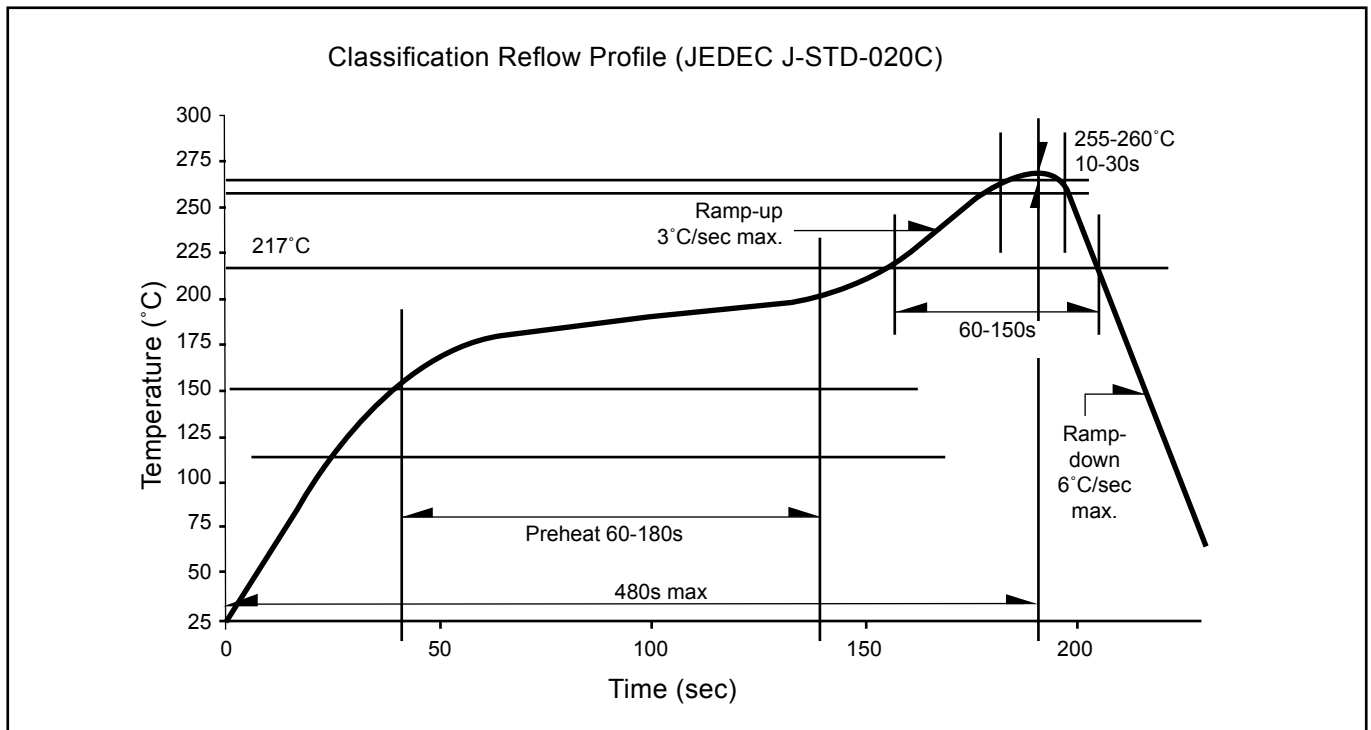
**For DomiLED™**

Cardboard Box Size	Dimensions (mm)	Empty Box Weight (kg)	Reel / Box	Quantity / Box (pcs)
Small	300 x 250 x 250	0.58	15 reels MAX	30,000 MAX
Large	416 x 516 x 476	1.74	55 reels MAX	110,000 MAX

**Recommended Sn-Pb IR-Reflow Soldering Profile**



**Recommended Pb-free Soldering Profile**





## About Us

DOMINANT Semiconductors is a dynamic Malaysian Corporation that is among the world's leading SMT LED Manufacturers. An excellence – driven organization, it offers a comprehensive product range for diverse industries and applications. Featuring an internationally certified quality assurance acclaim, DOMINANT's extra bright LEDs are perfectly suited for various lighting applications in the automotive, consumer and communications as well as industrial sectors. With extensive industry experience and relentless pursuit of innovation, DOMINANT's state-of-art manufacturing, research and testing capabilities have become a trusted and reliable brand across the globe. More information about DOMINANT Semiconductors can be found on the Internet at <http://www.dominant-semi.com>.

Please contact us for more information:

### Head Quarter

DOMINANT Semiconductors Sdn. Bhd.  
Lot 6, Batu Berendam, FTZ Phase III, 75350 Melaka, Malaysia  
Tel: (606) 283 3566 Fax: (606) 283 0566  
E-mail: [sales@dominant-semi.com](mailto:sales@dominant-semi.com)

### DOMINANT China Sales Office

DOMINANT Semiconductors (Shenzhen) Co. Ltd.  
24BC Newbaohui Building, No. 1007 West Nanhai Blvd., Nanshan, Shenzhen, China P.C. 518054  
Tel: +86 (755) 86031785 / +86 (755) 86031786 Fax: +86 (755) 86031789  
E-mail: [sales\\_china@dominant-semi.com](mailto:sales_china@dominant-semi.com)

### DOMINANT Korea Sales Office

DOMINANT Semiconductors Korea Inc.  
902 Sunil Technopia, 440 Sangdaewon-dong, Jungwon-gu, Sungnam-si, Kyunggi-do, Korea 462726  
Tel: 82-31-777-3978 Fax: 82-31-777-3976  
E-mail: [sales\\_korea@dominant-semi.com](mailto:sales_korea@dominant-semi.com)

